

## Assembly



**Cut line**  
Cut along the line.



**Mountain fold**  
Make a mountain fold along the line.



**Valley fold**  
Make a valley fold along the line.



**Glue spot**  
Glue together.

### You will need

scissors, ruler, glue (we recommend woodwork glue)


### Assembly tip

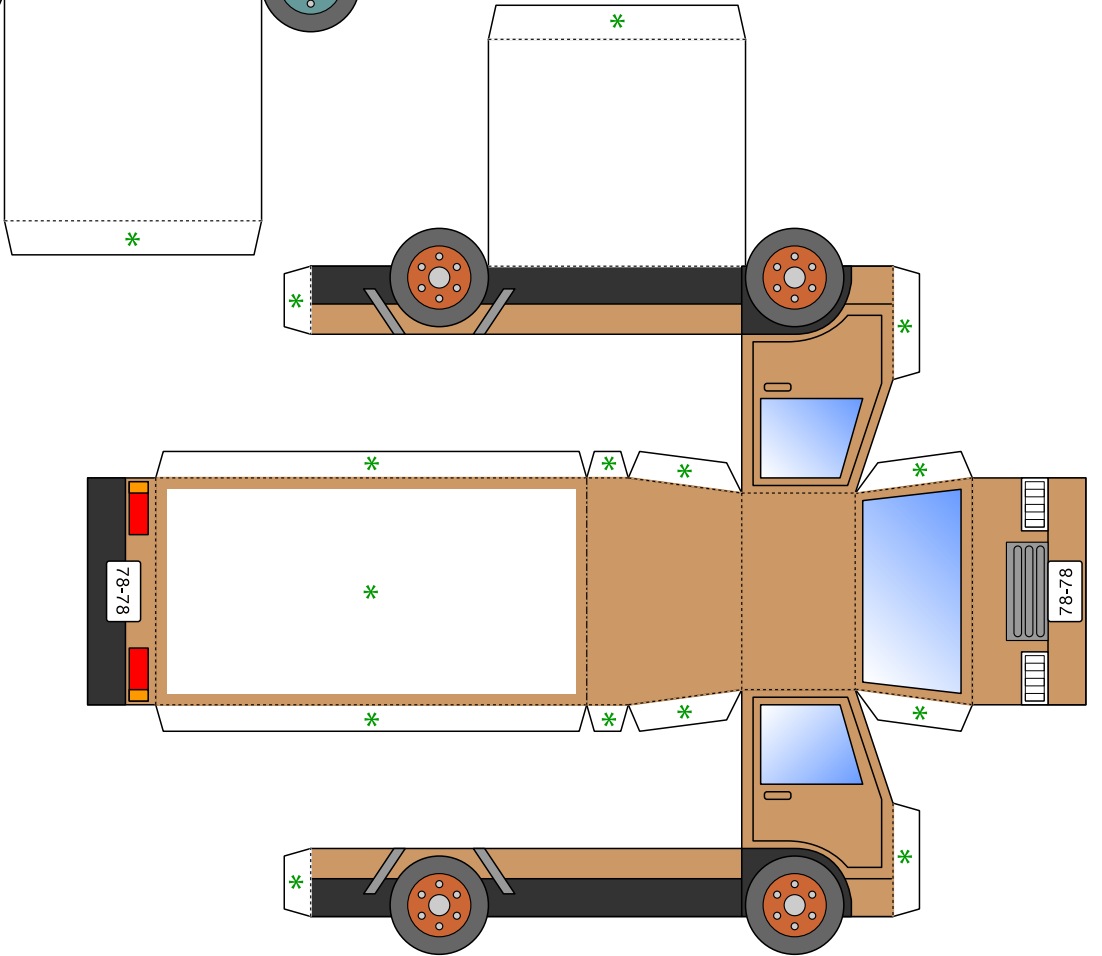
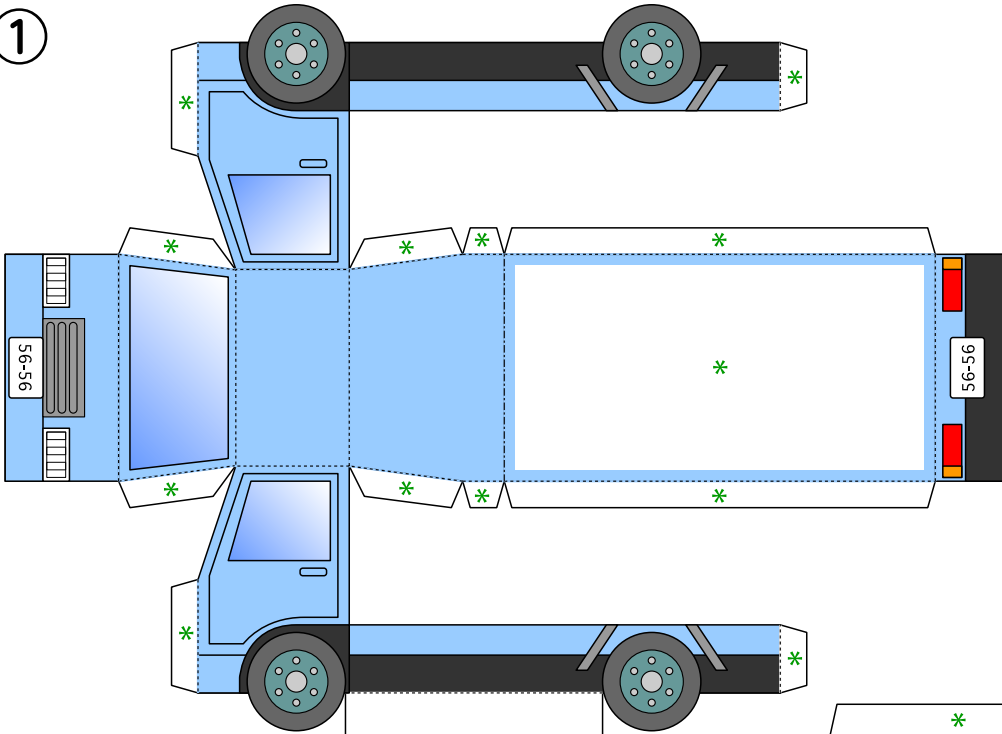
Fold along the mountain fold and valley fold lines to make creases.

### Caution

Be very careful when handling scissors. □  
Keep glue away from small children.

1

- Mountain fold
- - - - - Valley fold
-  Glue spot



2

----- Mountain fold

 Glue spot

